

**Piano Hinge**

DATE   
 TIME   
 COMPANY NAME   
 CONTACT DETAILS



**Leaf Material Type**

Aluminium   
 Brass   
 Stainless Steel 304   
 Mild Steel

**Pin Material Type**

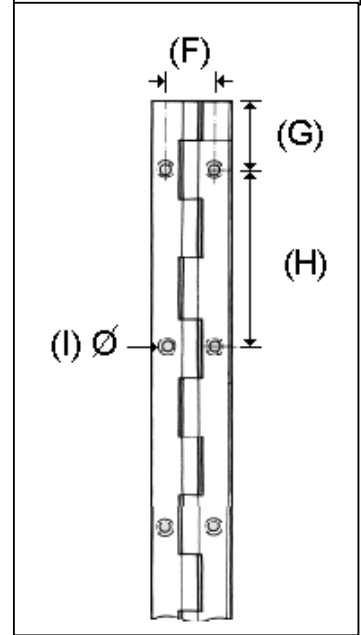
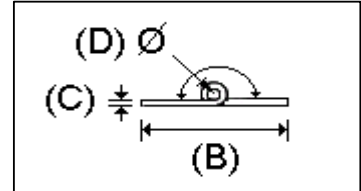
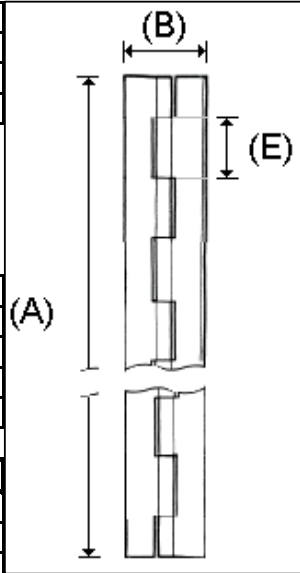
Aluminium   
 Brass   
 Stainless Steel 304   
 Mild Steel

**Sizes**

(A) Length   
 (B) Opening   
 (C) Gauge   
 (D) Pin Diameter   
 (E) Knuckle Size

**Holes**

(F) Hole Leaf Center   
 (G) Start Size   
 (H) Hole Pitch   
 (I) Hole Diameter



Please provide drawing if holes are staggered or have an unusual configuration

Quantity

Deliver time: 2-3 weeks

**PIANO HINGE STANDARDS**

**MATERIAL**

**Material Thickness**

1.2mm  
 1.6mm  
 2.0mm  
 3.0mm  
 5.0mm

**Mild Steel**

**Pin Size**

3mm  
 3mm / 4.5mm  
 4.0mm  
 8.0mm  
 9.0mm

**Knuckle Length**

25mm  
 38mm / 50mm / 25mm  
 50mm  
 50mm  
 50mm

**Stainless Steel / Brass / Aluminium**

1.2mm  
 1.6mm  
 2.0mm  
 3.0mm

3.0mm  
 4.76mm  
 4.0mm  
 8.0mm

25mm  
 38mm / 50mm / 25mm  
 50mm  
 50mm