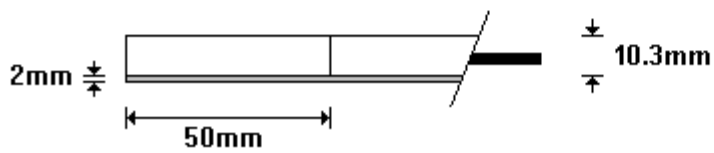
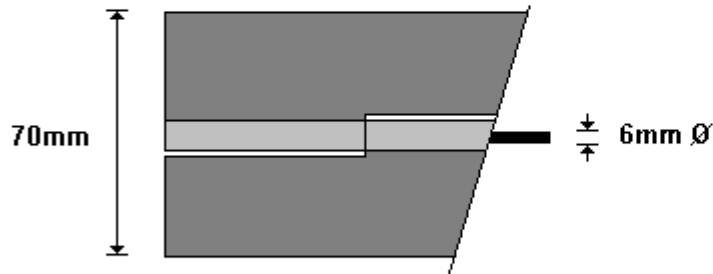
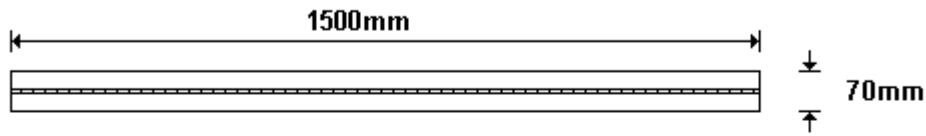


**1500mm x 70mm x 2mm GALVANISED
HWCAB114**

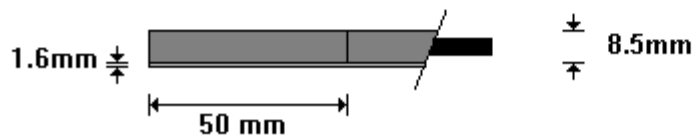
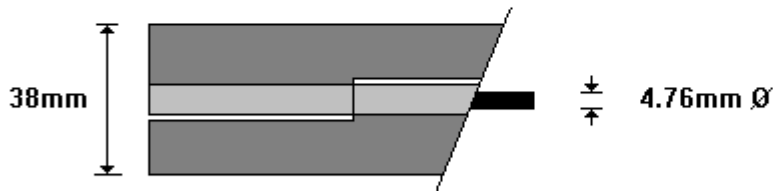
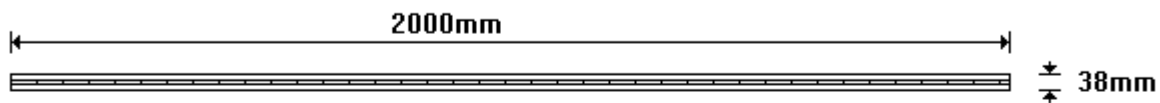


General Hinges



(011) 907 1755/6

**2000mm x 38mm x 1.6mm 3CR12
HWPIN100**



General Hinges



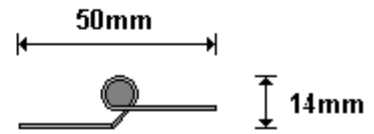
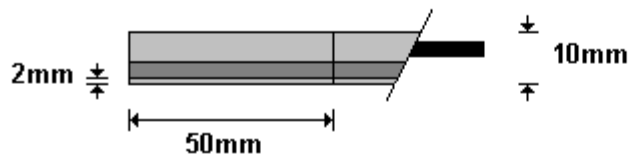
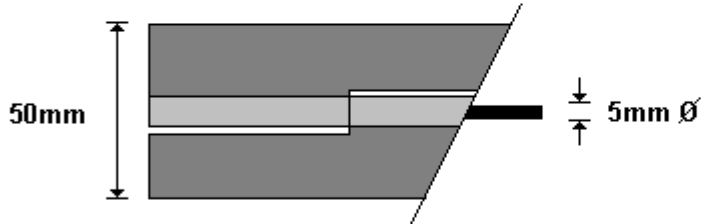
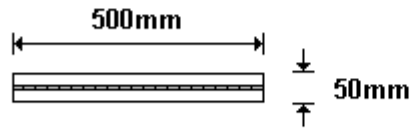
(011) 907 1755/6

**401157174 HINGE 500x50x2 PIANO HINGE
HWTRA104**

General Hinges



(011) 907 1755/6

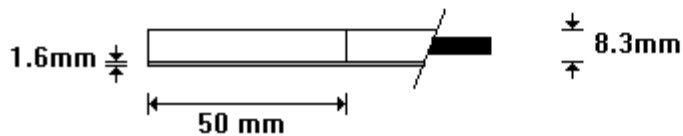
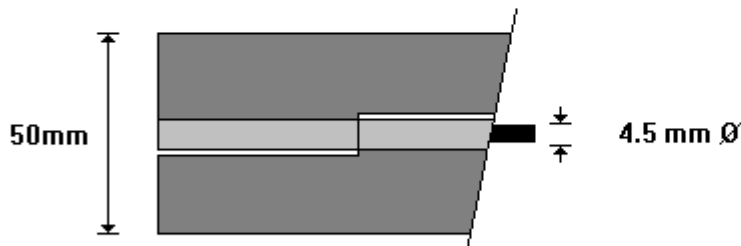
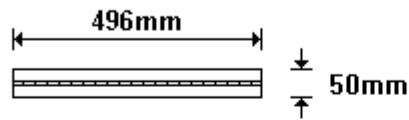


**496x50x1.6 10M3 MILD STEEL HINGE
HWTRA107**

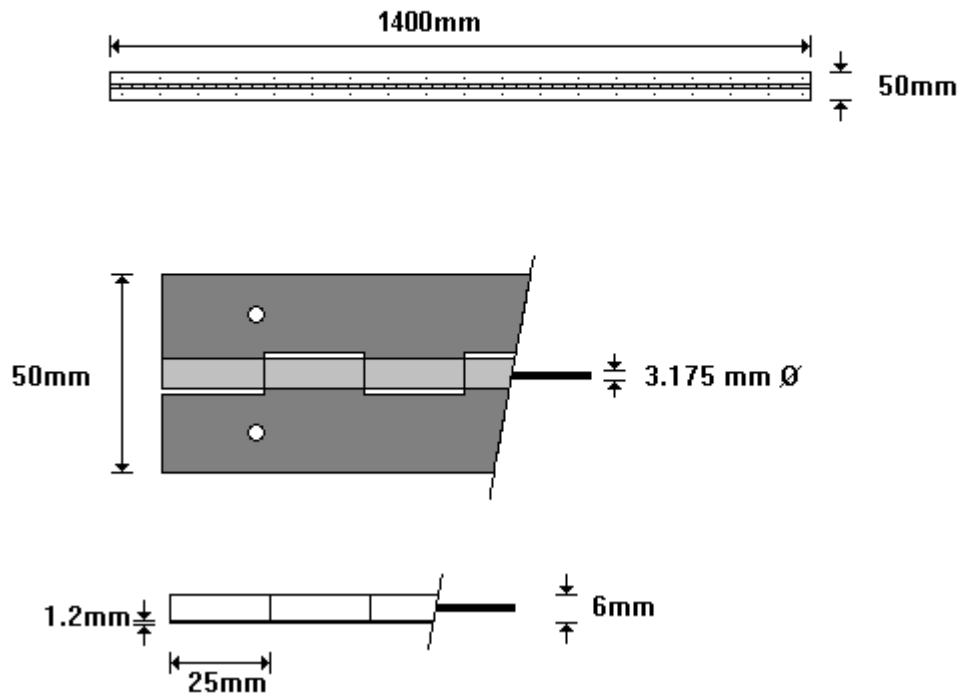
General Hinges



(011) 907 1755/6



**1400x50x1.2 S/S Punched
HWTRA108**

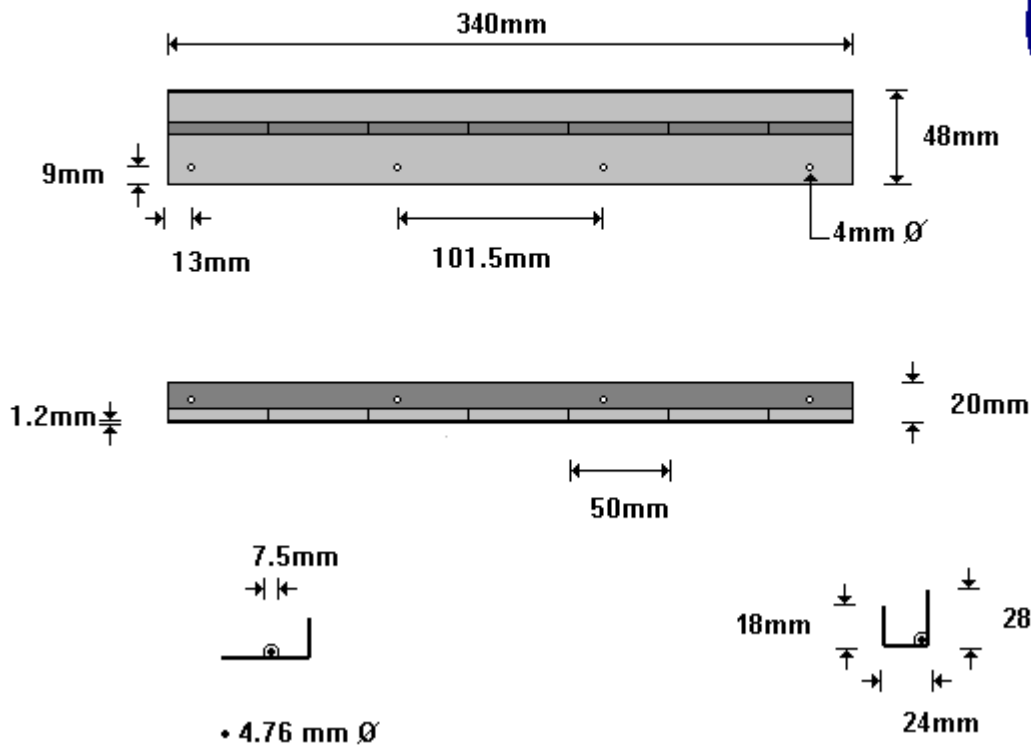


General Hinges



(011) 907 1755/6

**FIELD MOUNTING PROTECTION BOX HINGE
NIC100**



General Hinges



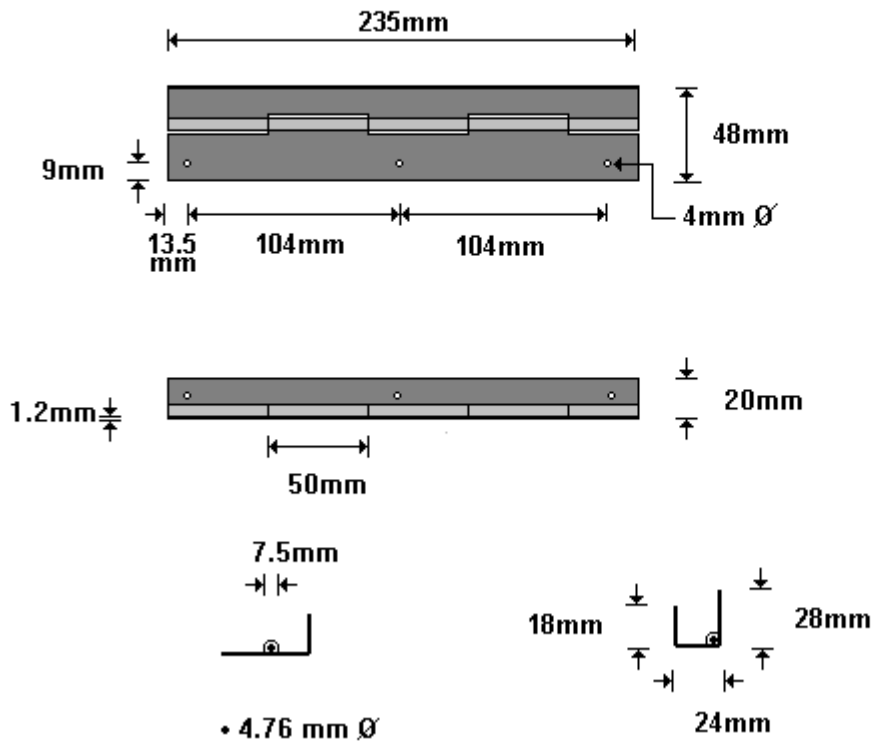
(011) 907 1755/6

**SPECIAL NIC HINGE 235mm
NIC101**

General Hinges



(011) 907 1755/6

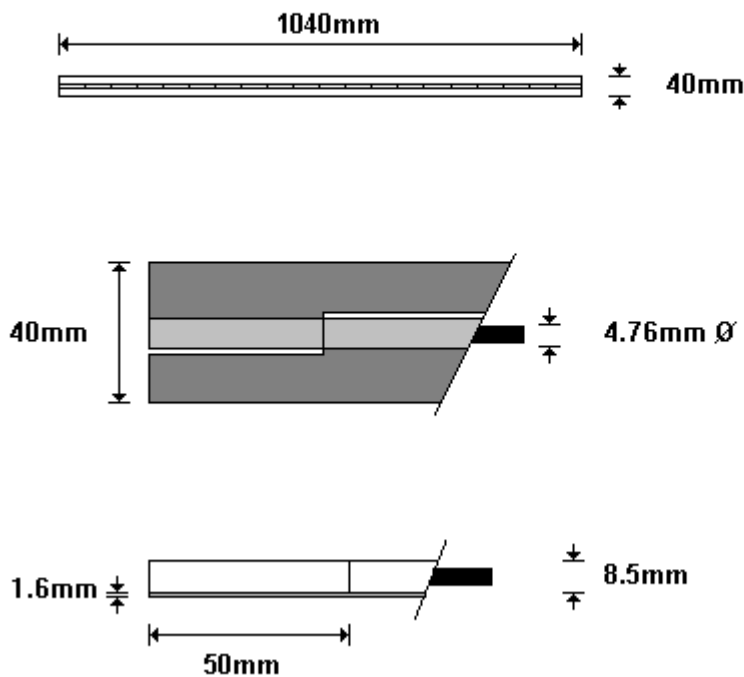


**1040mm × 40mm × 1.6mm ALUMINIUM & S/STEEL PIN
PH5500**

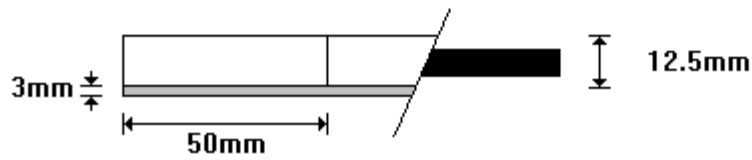
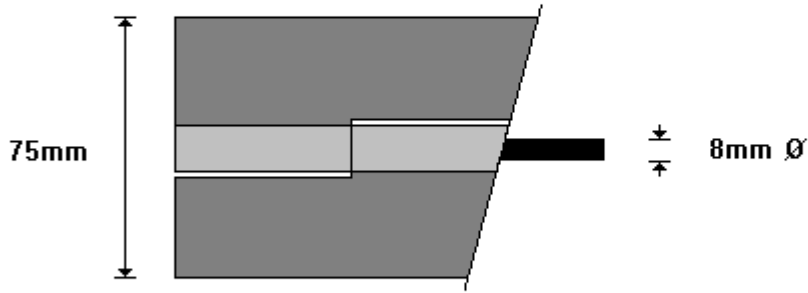
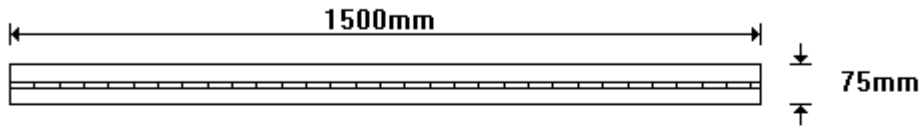
General Hinges



(011) 907 1755/6



**1500mm x 75mm x 3mm ALUMINIUM & M/S PIN
PH5600**

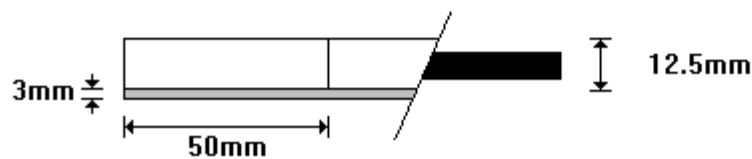
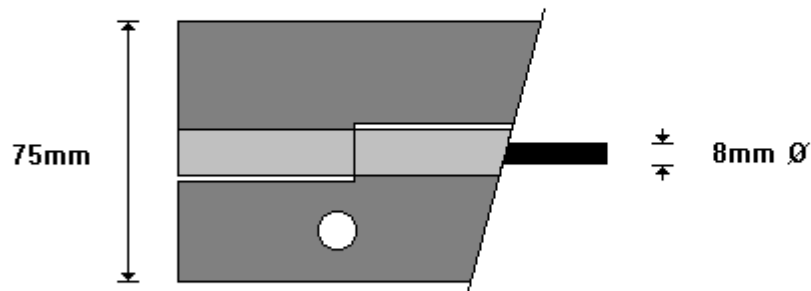


General Hinges



(011) 907 1755/6

**1500mm x 75mm x 3mm MILD STEEL + S/STEEL PIN
PH5700**

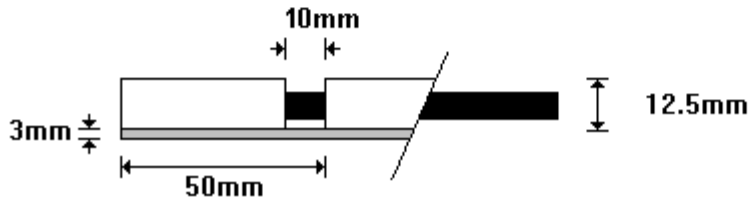
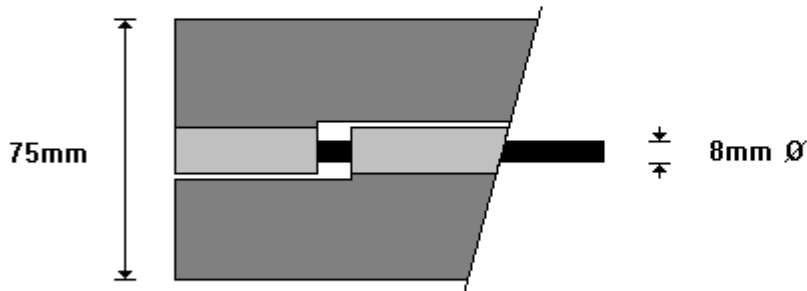
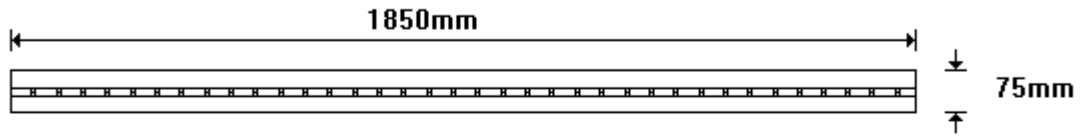


General Hinges



(011) 907 1755/6

**1850mm x 75mm x 3mm 10mm KNUCKLE GAP
PH6000**

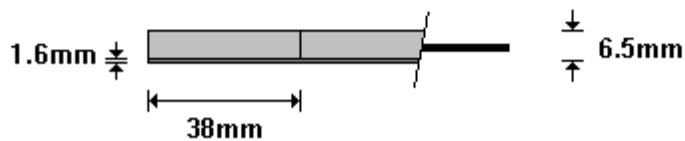
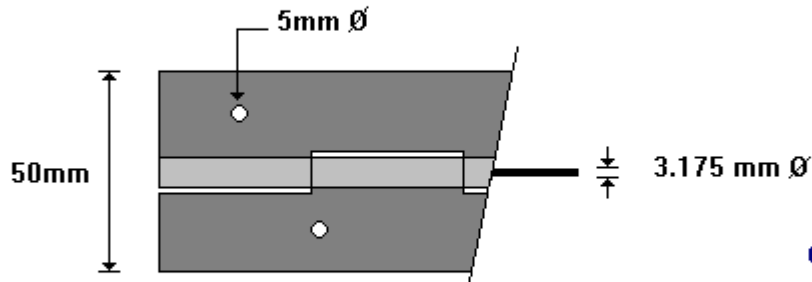
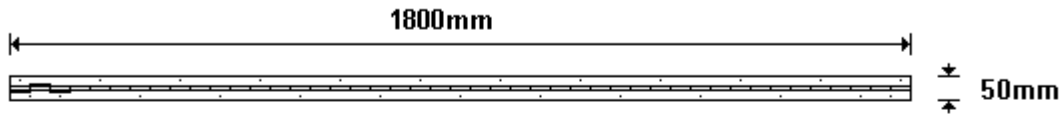


General Hinges



(011) 907 1755/6

**1800x50x1.6 S/STEEL PUNCHED
NS05011-10-000 3mm Pin
HWNUS100**

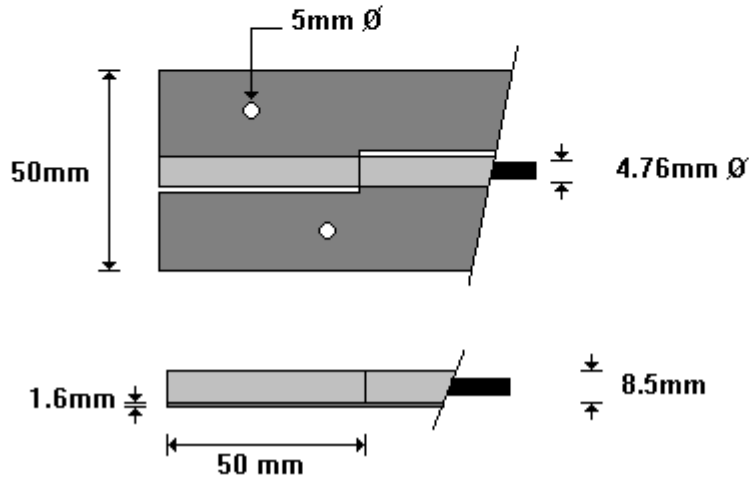
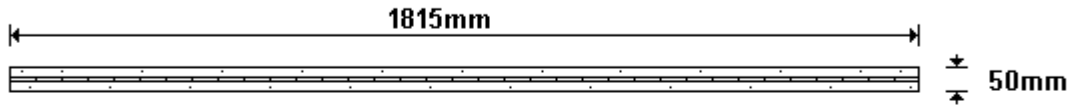


General Hinges



(011) 907 1755/6

1815x50x1.6mm S/STEEL PUNCHED
NS05400-11-001 4.76mm Pin
HWNUS101

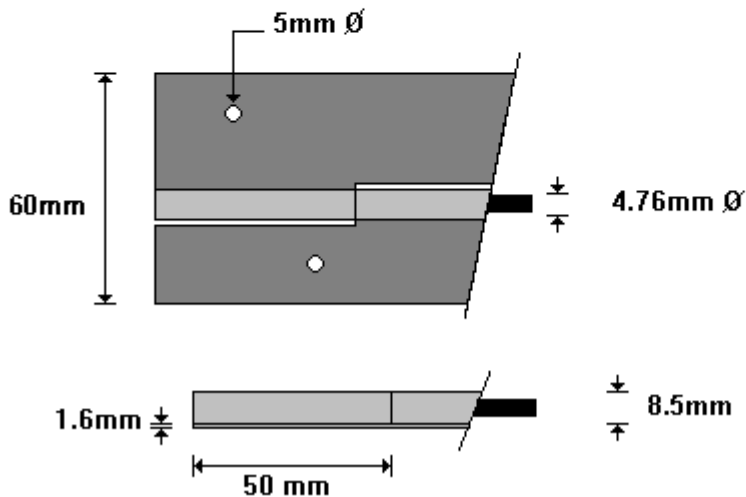
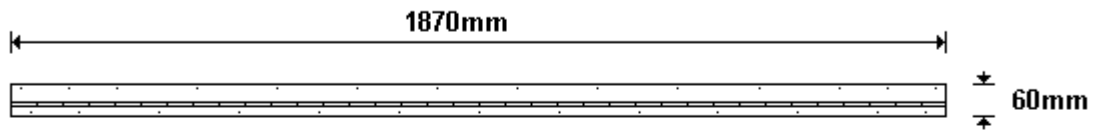


General Hinges



(011) 907 1755/6

1870x25:35x1.6mm S/STEEL PUNCHED
NS05500-12-000
HWNUS102

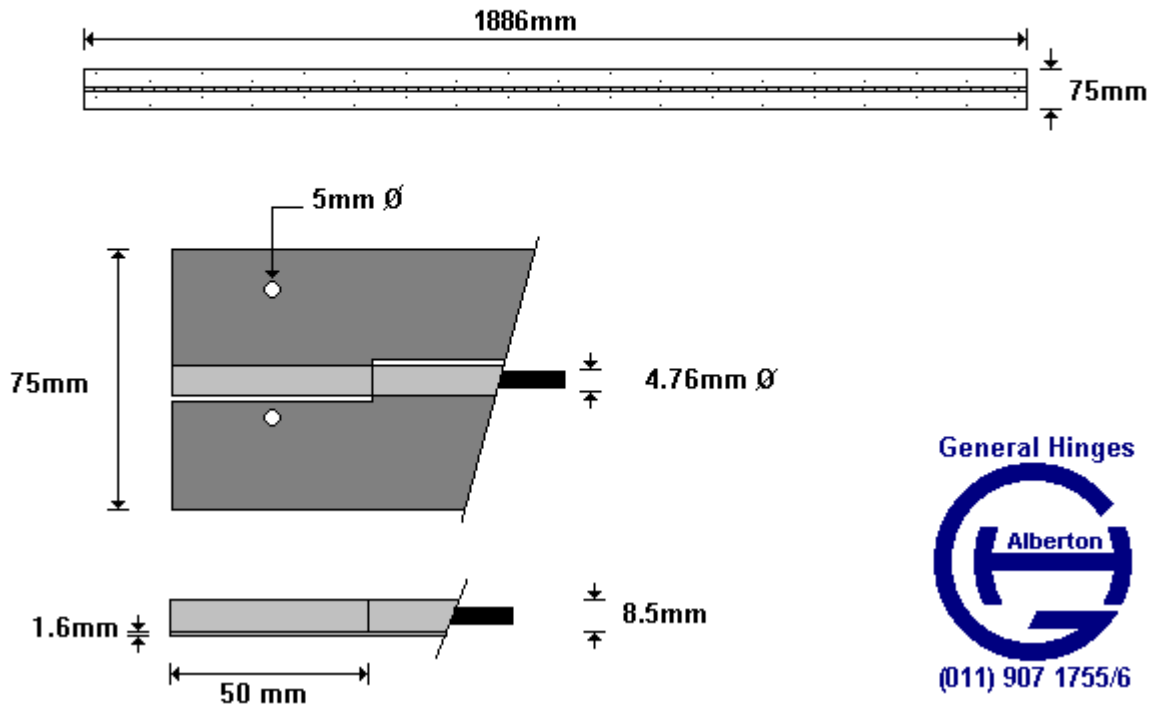


General Hinges

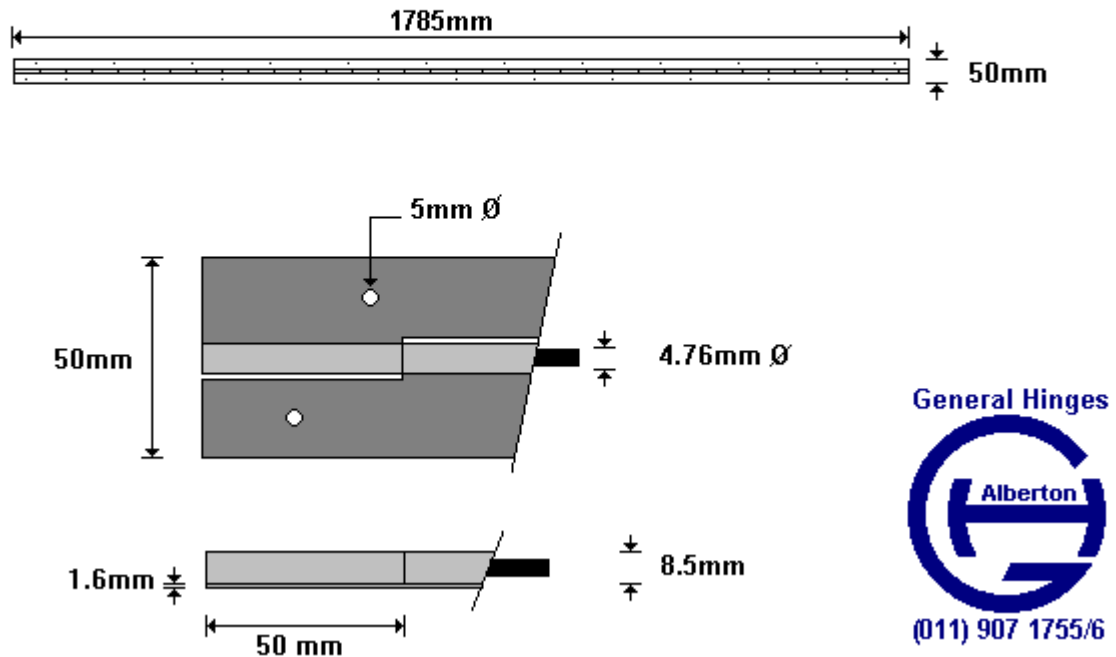


(011) 907 1755/6

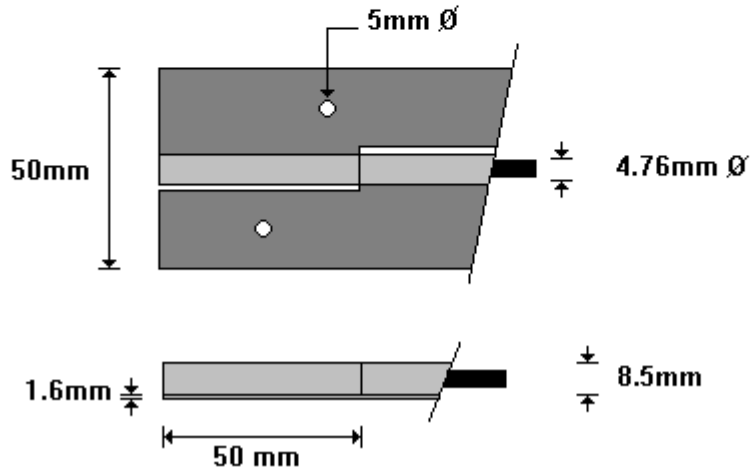
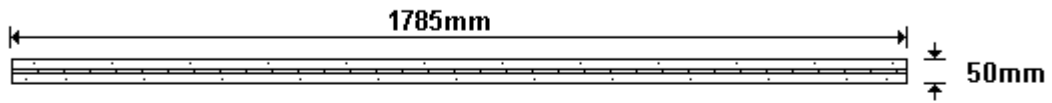
1886x75x1.6mm S/STEEL PUNCHED
NS05510-04-000
HWNUS103



1785x50x1.6mm S/STEEL PUNCHED
NS05600-00-009
HWNUS104



1785x50x1.6mm S/STEEL PUNCHED
NS05600-08-001
HWNUS105

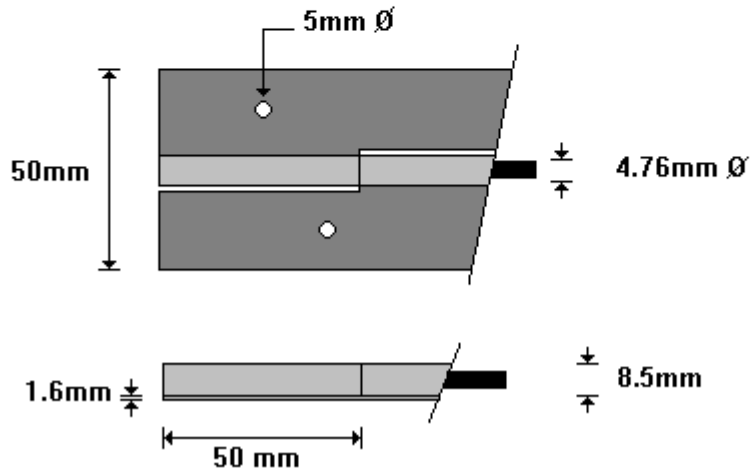
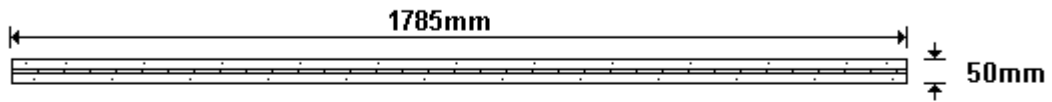


General Hinges



(011) 907 1755/6

1785x50x1.6mm S/STEEL PUNCHED
NS5601-11-001
HWNUS106

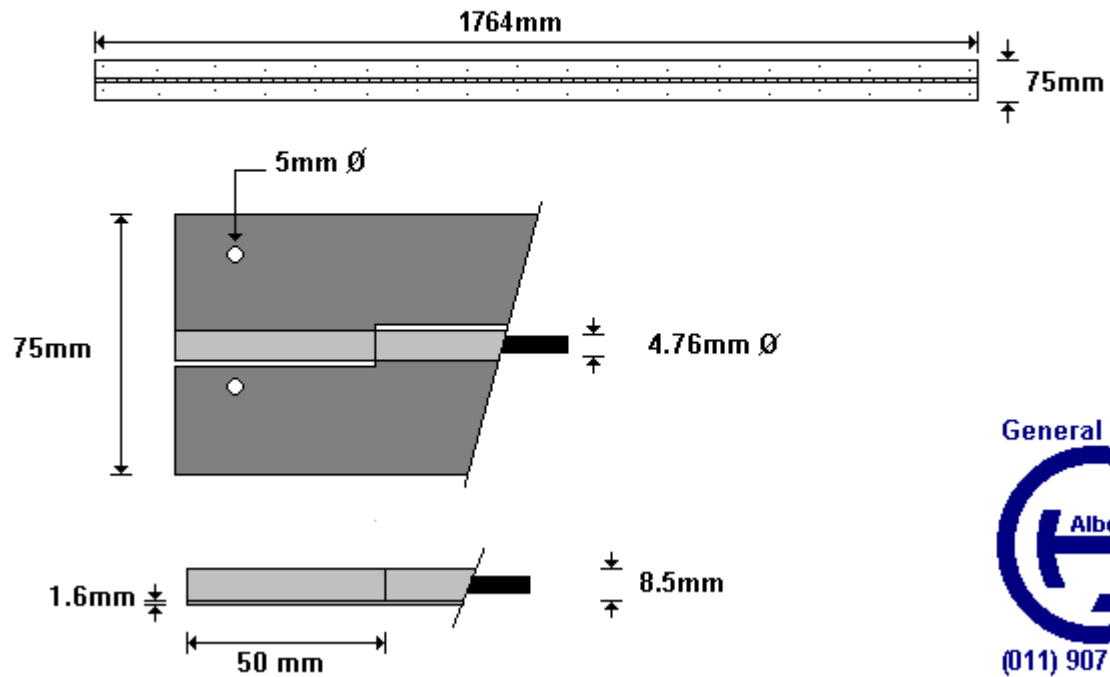


General Hinges

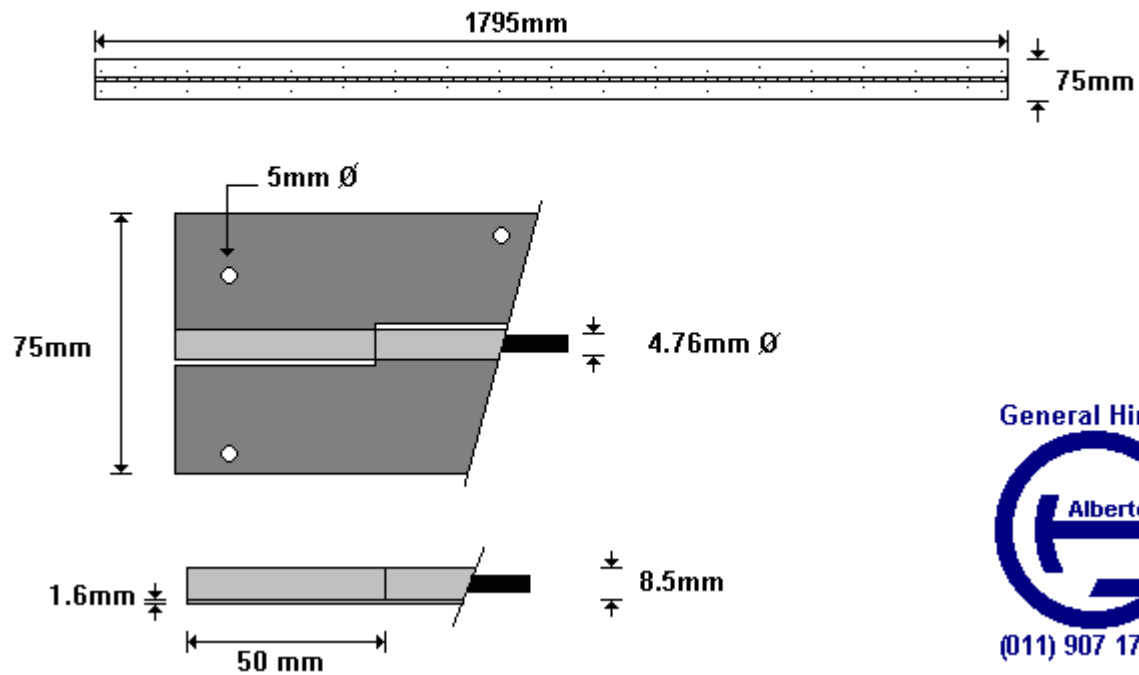


(011) 907 1755/6

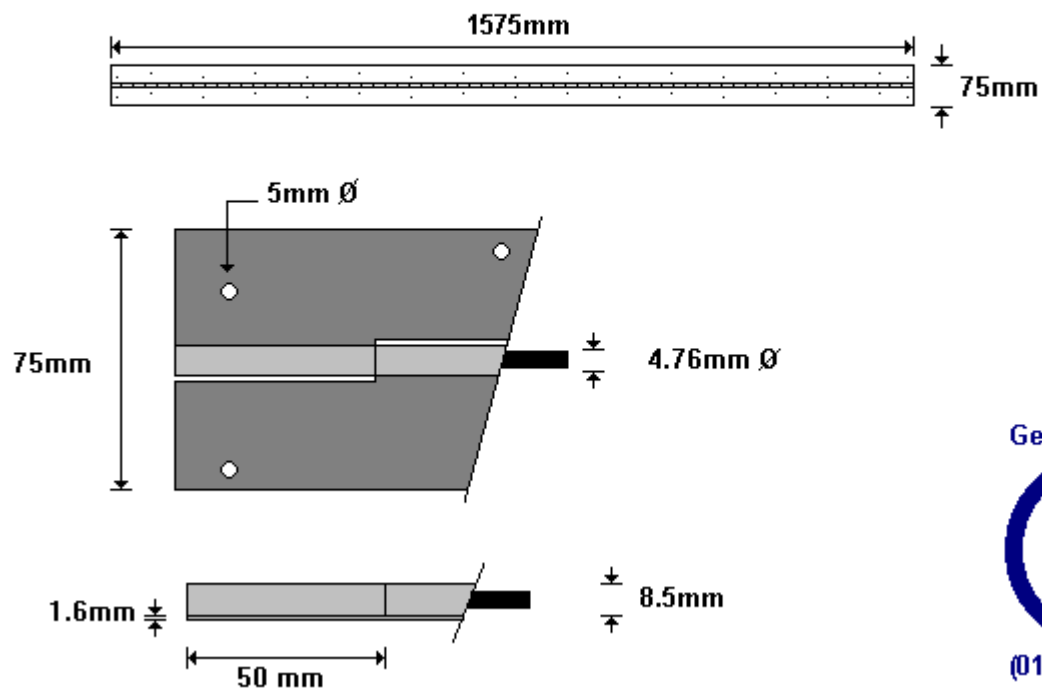
1764x75x1.6mm S/STEEL PUNCHED
NS05800-08-009
HWNUS107



1795x75x1.6mm S/STEEL PUNCHED
NS05900-05-000
HWNUS108



1575x75x1.6mm S/STEEL PUNCHED
NS05901-05-000
HWNUS109

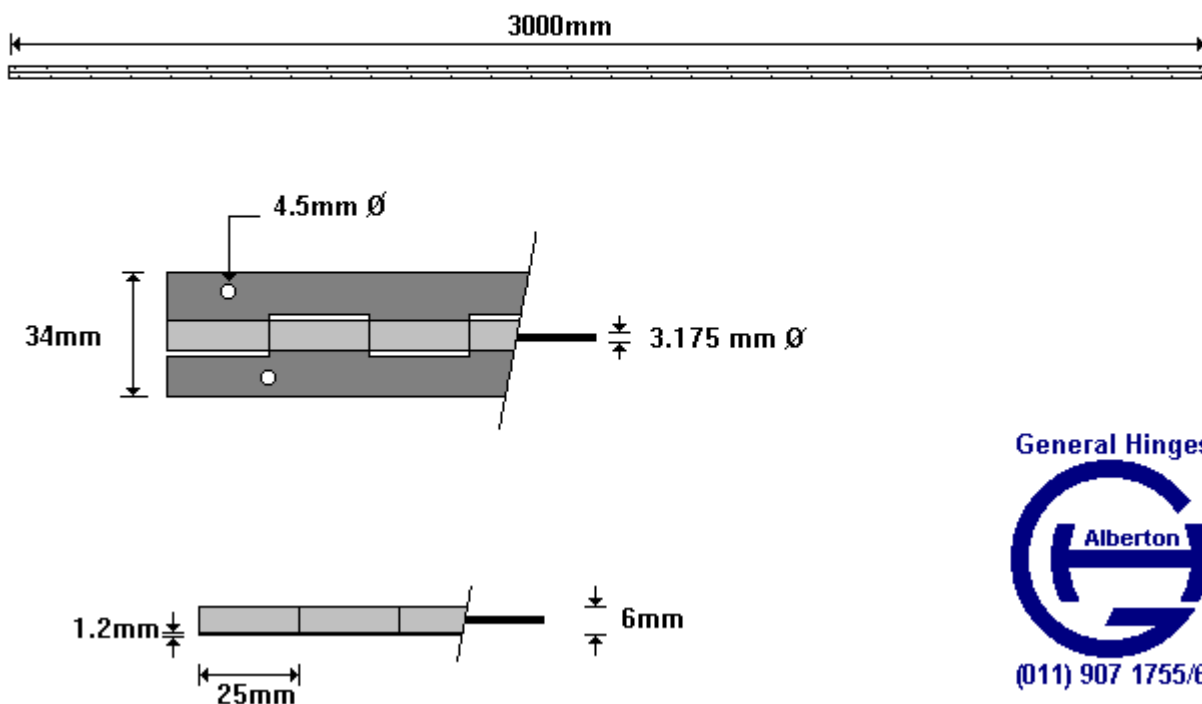


General Hinges



(011) 907 1755/6

3000x34x1.2 S/STEEL PUNCHED
NS90011-00-000
HWNUS110

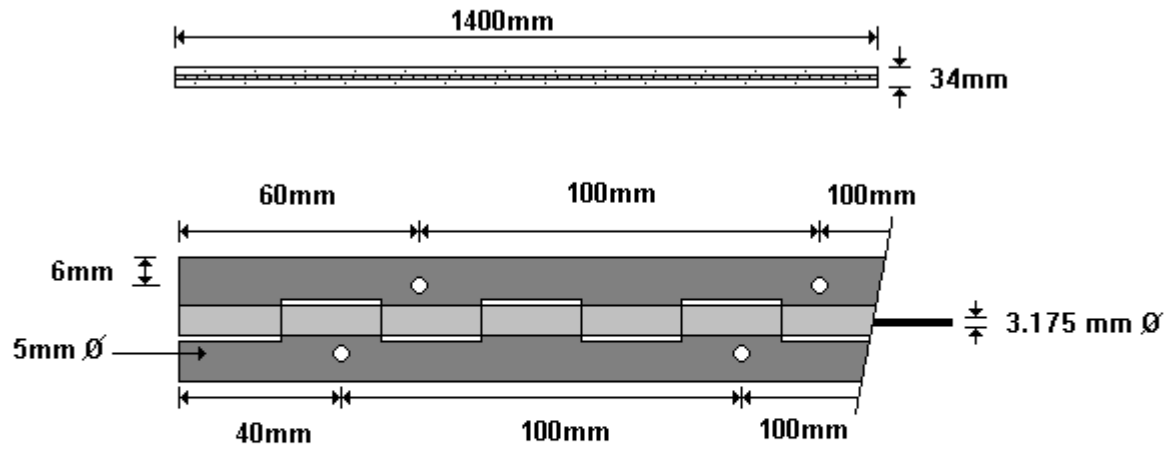


General Hinges



(011) 907 1755/6

**1400x34x1.2 STAINLESS STEEL
HWNUS111**

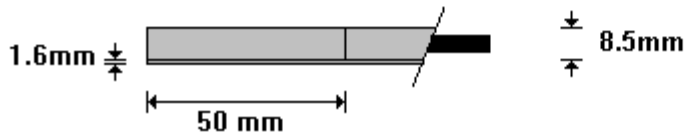
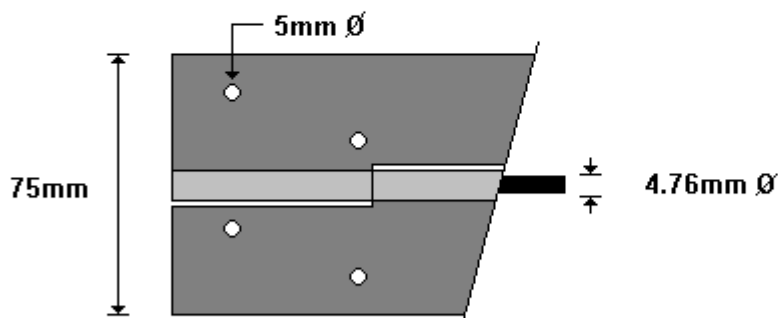
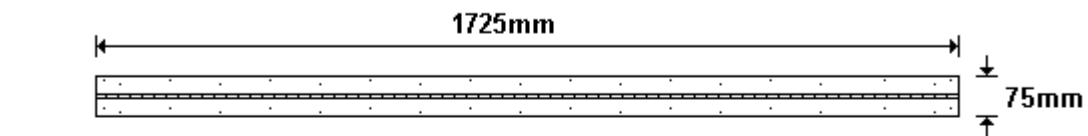


General Hinges



(011) 907 1755/6

**1725x75x1.6 S/STEEL PUNCHED
NS05405-05-000
HWNUS112**

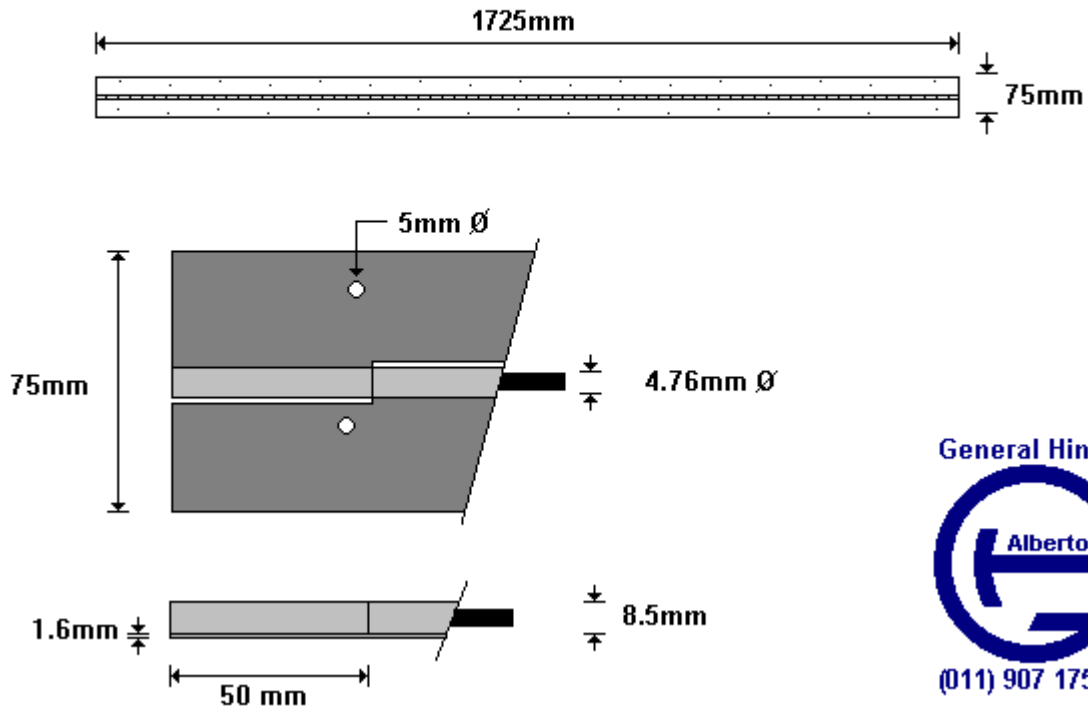


General Hinges



(011) 907 1755/6

1725x75x1.6 S/STEEL PUNCHED
NS05410-10-000
HWNUS113

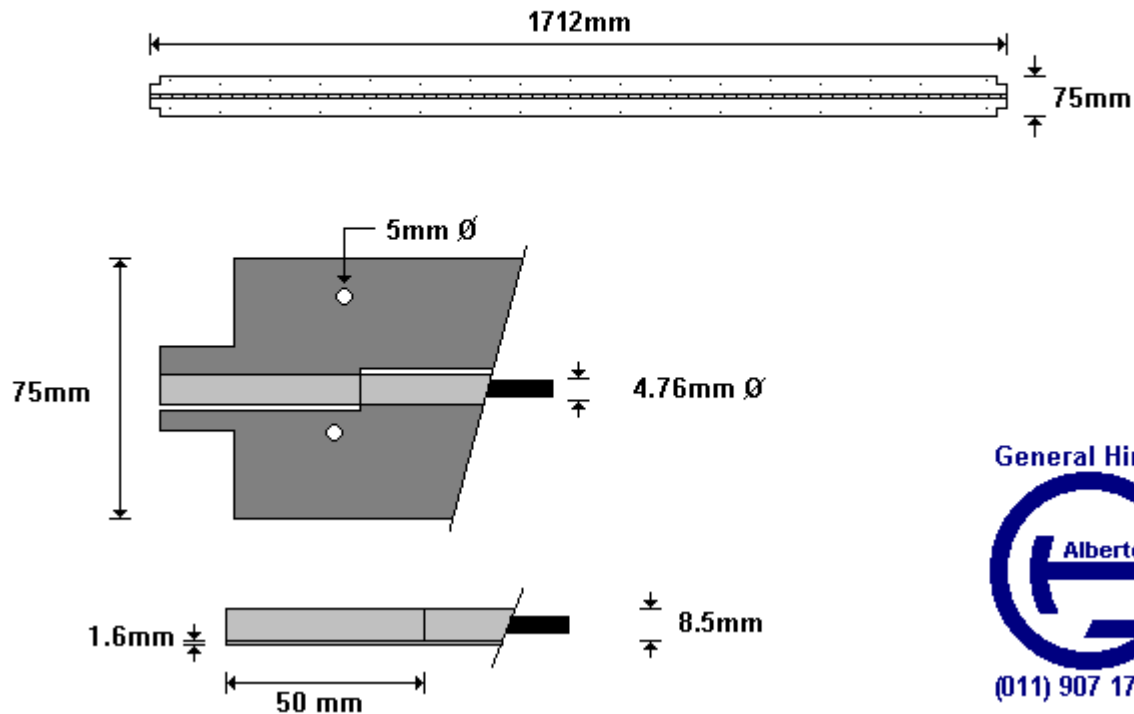


General Hinges



(011) 907 1755/6

1712x75x1.6 S/STEEL PUNCHED
NS05415-04-000
HWNUS114

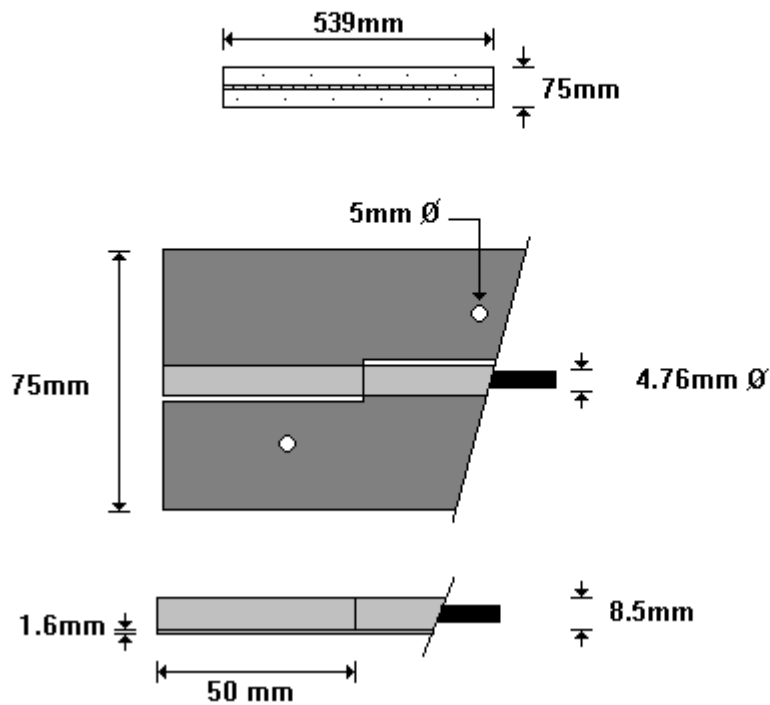


General Hinges



(011) 907 1755/6

539x75x1.6 S/STEEL PUNCHED
NS05415-09-007
HWNUS115

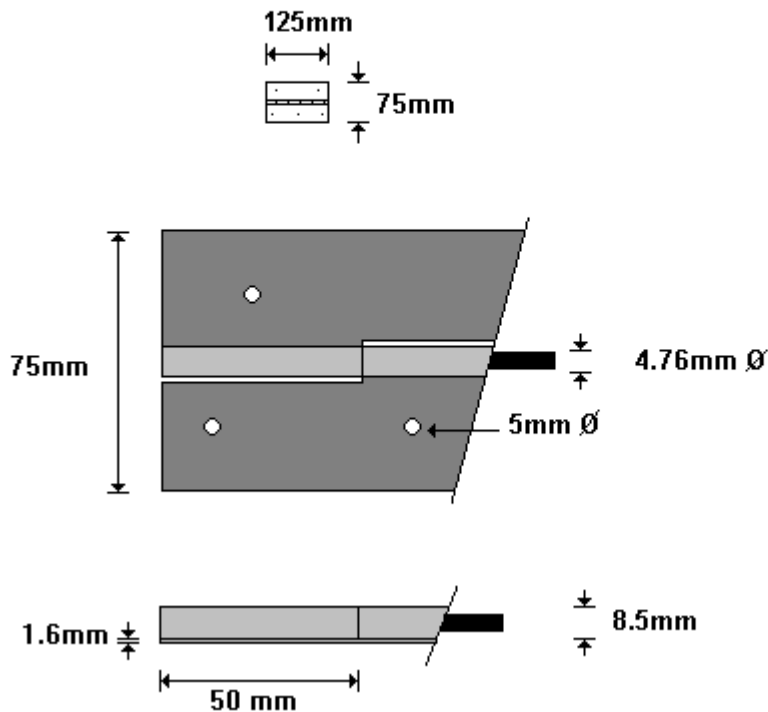


General Hinges



(011) 907 1755/6

125x75x1.6 S/STEEL PUNCHED
NS05415-09-008
HWNUS116

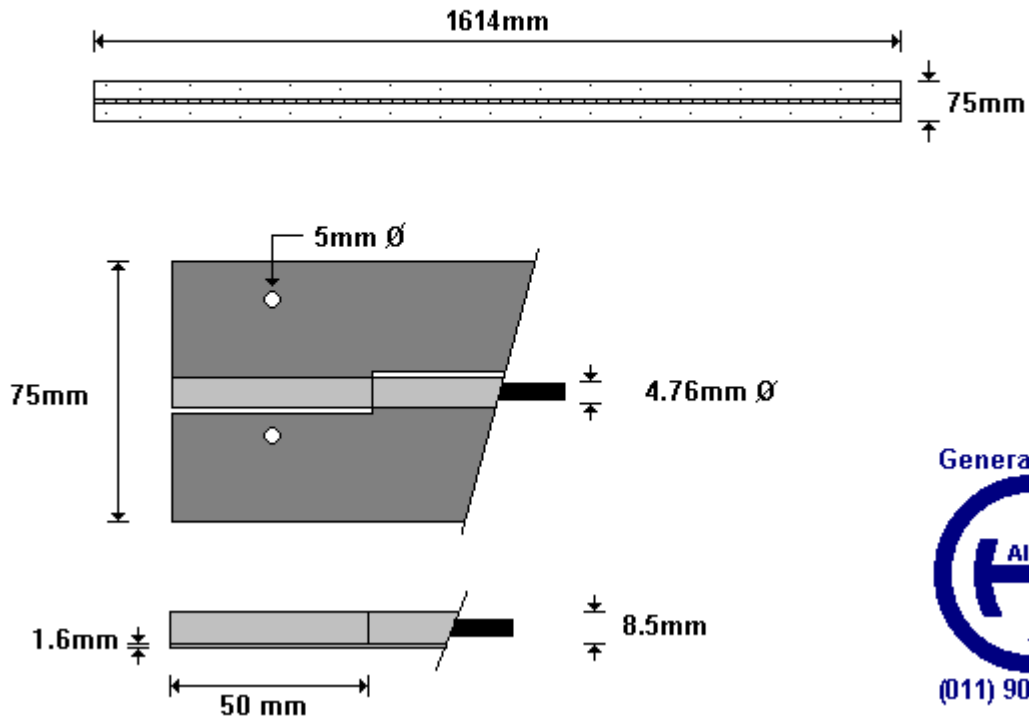


General Hinges

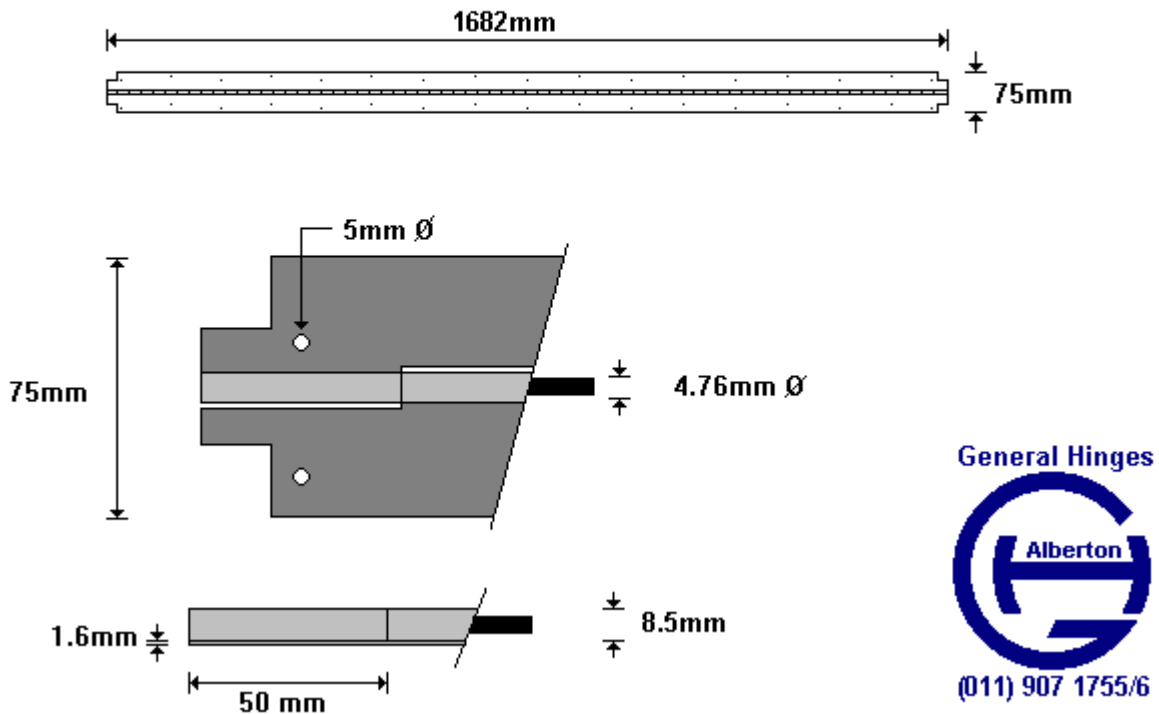


(011) 907 1755/6

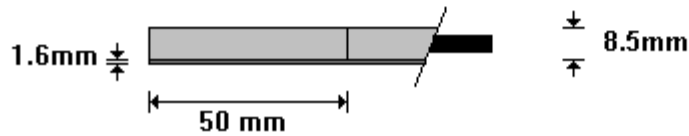
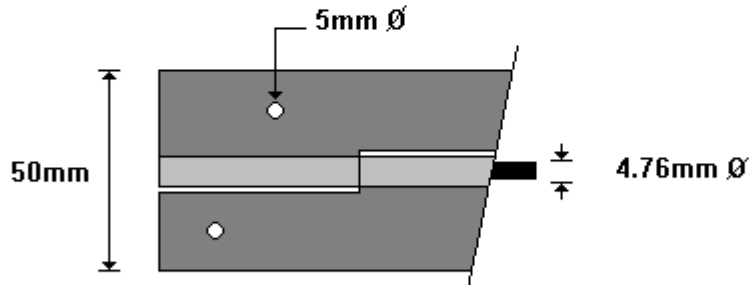
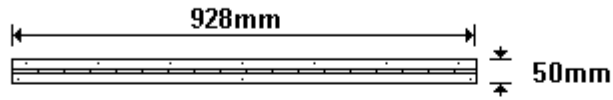
1614x75x1.6 S/STEEL PUNCHED
NS05420-10-000
HWNUS117



1682x75x1.6 S/STEEL PUNCHED
NS05423-05-000
HWNUS118



928x50x1.6 S/STEEL PUNCHED
NS05425-06-000
HWNUS119

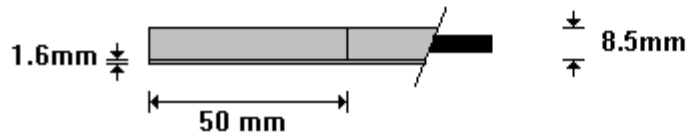
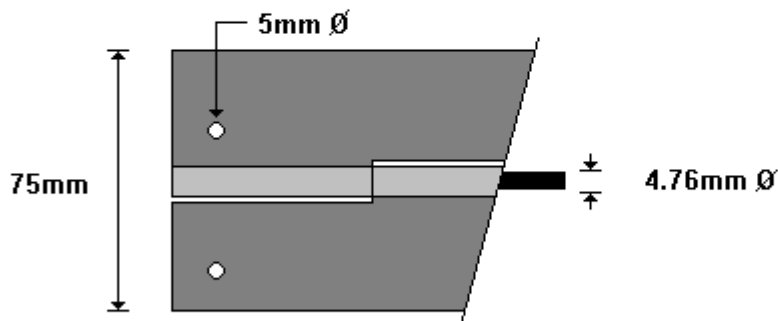
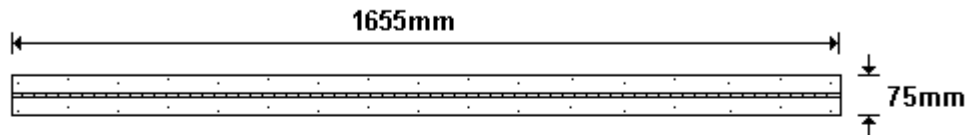


General Hinges



(011) 907 1755/6

1655x75x1.6 S/STEEL PUNCHED
NS05430-04-000
HWNUS120

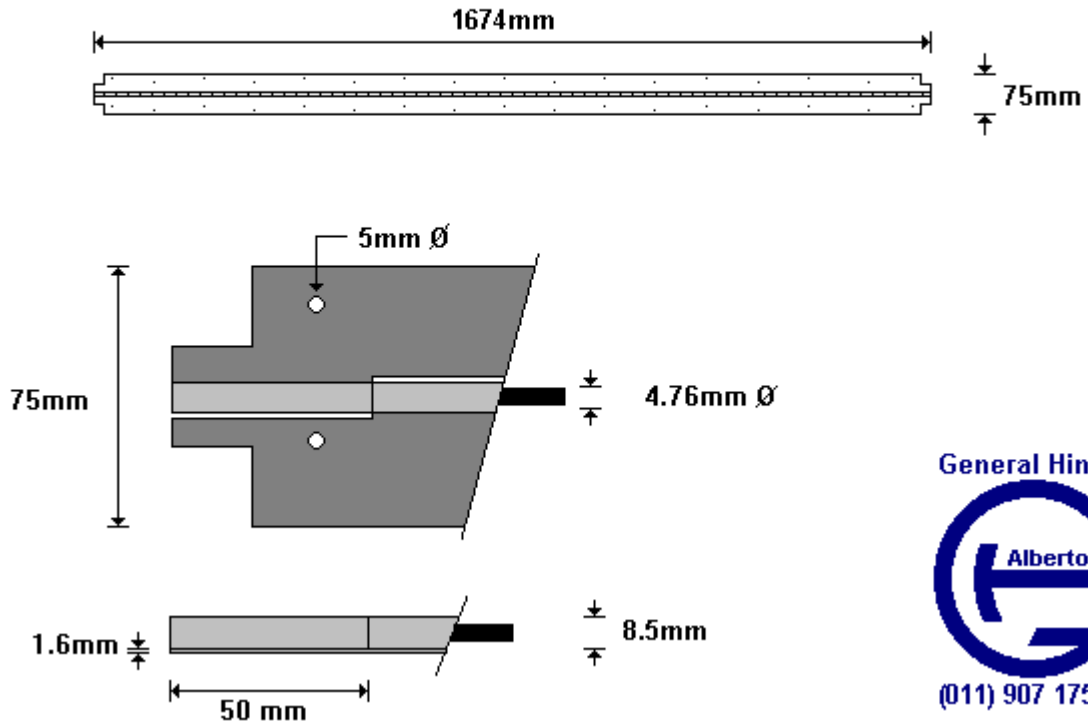


General Hinges

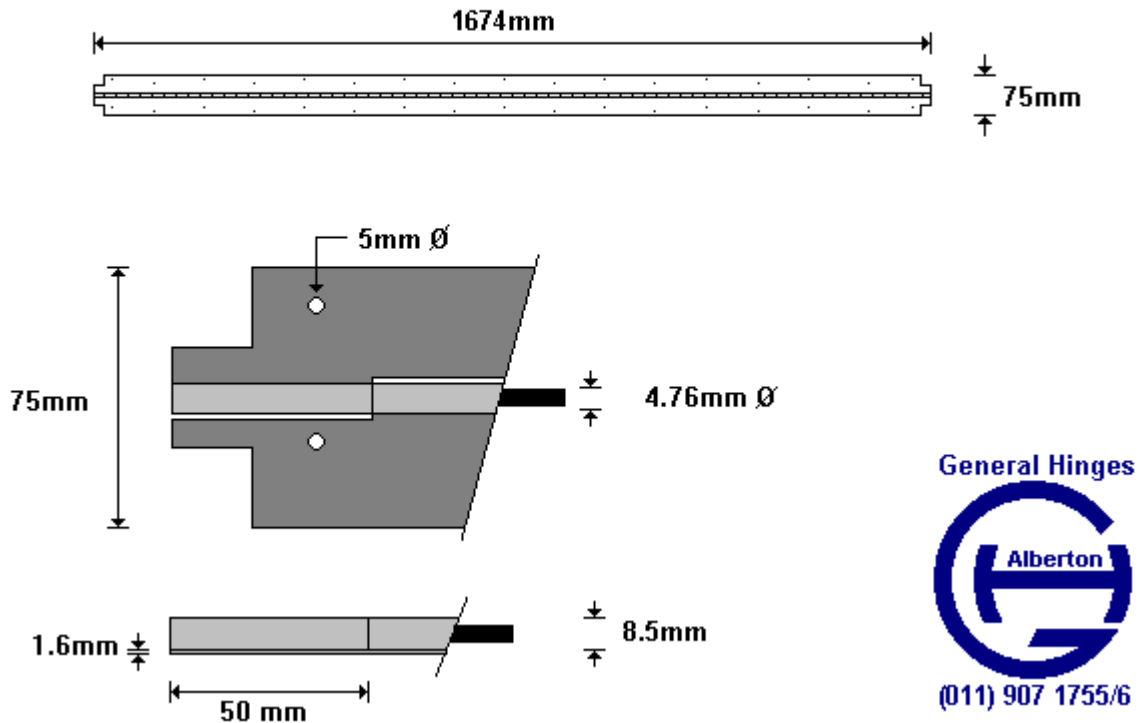


(011) 907 1755/6

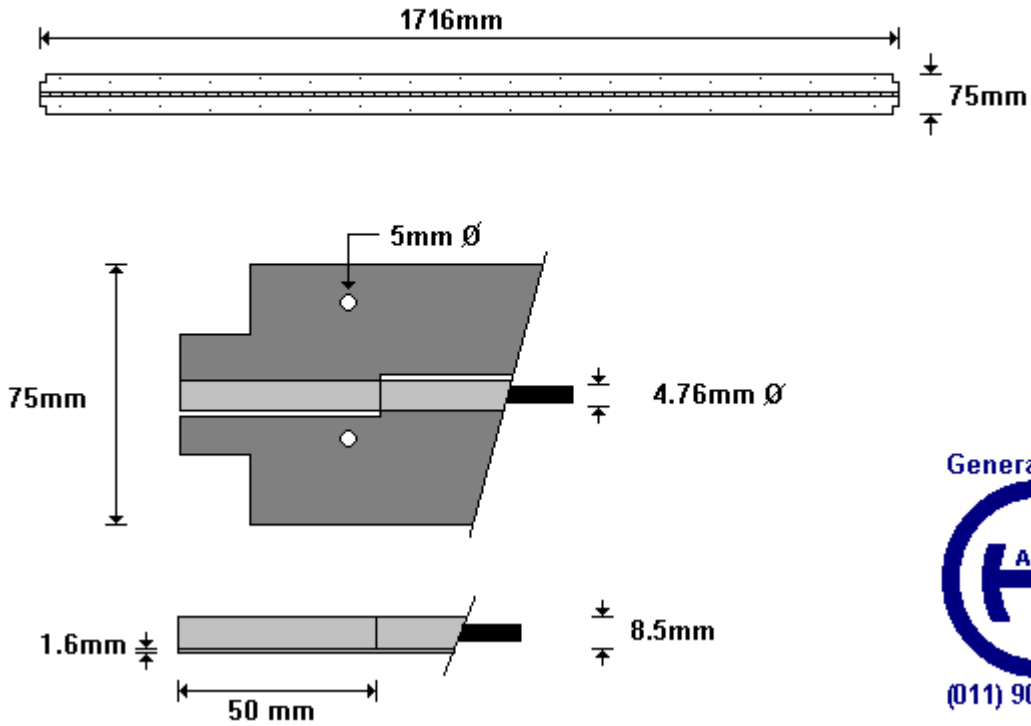
1674x75x1.6 S/STEEL PUNCHED
NS05440-05-000
HWNUS121



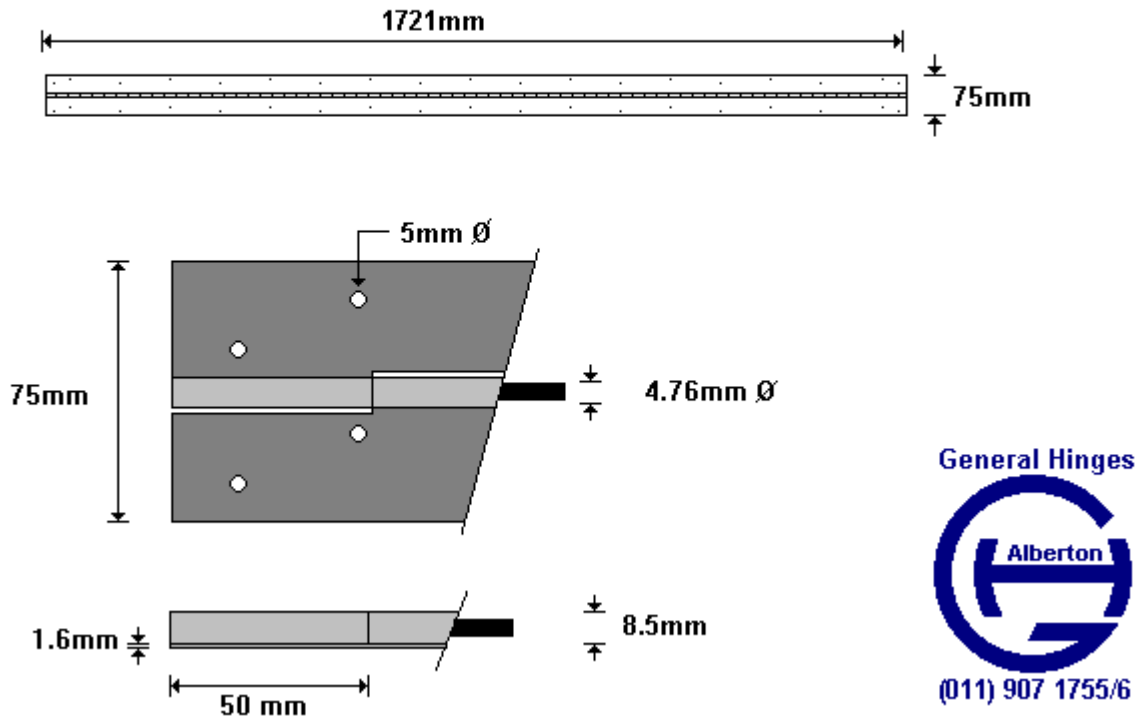
1674x75x1.6 S/STEEL PUNCHED
NS05440-05-005
HWNUS122



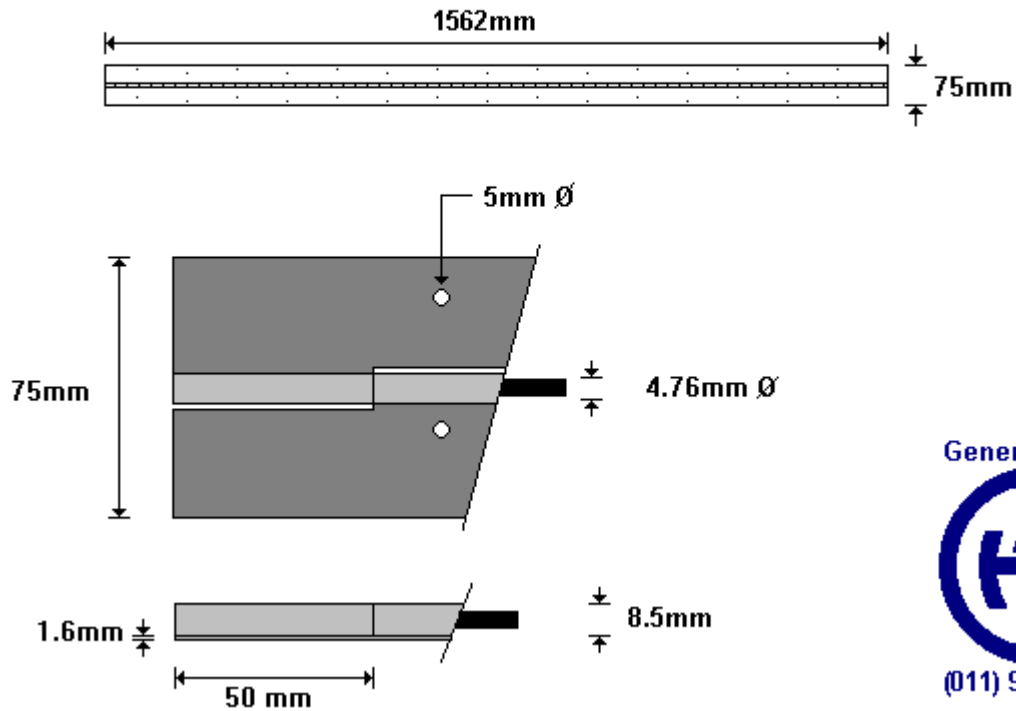
1716x75x1.6 S/STEEL PUNCHED
NS05445-04-000
HWNUS123



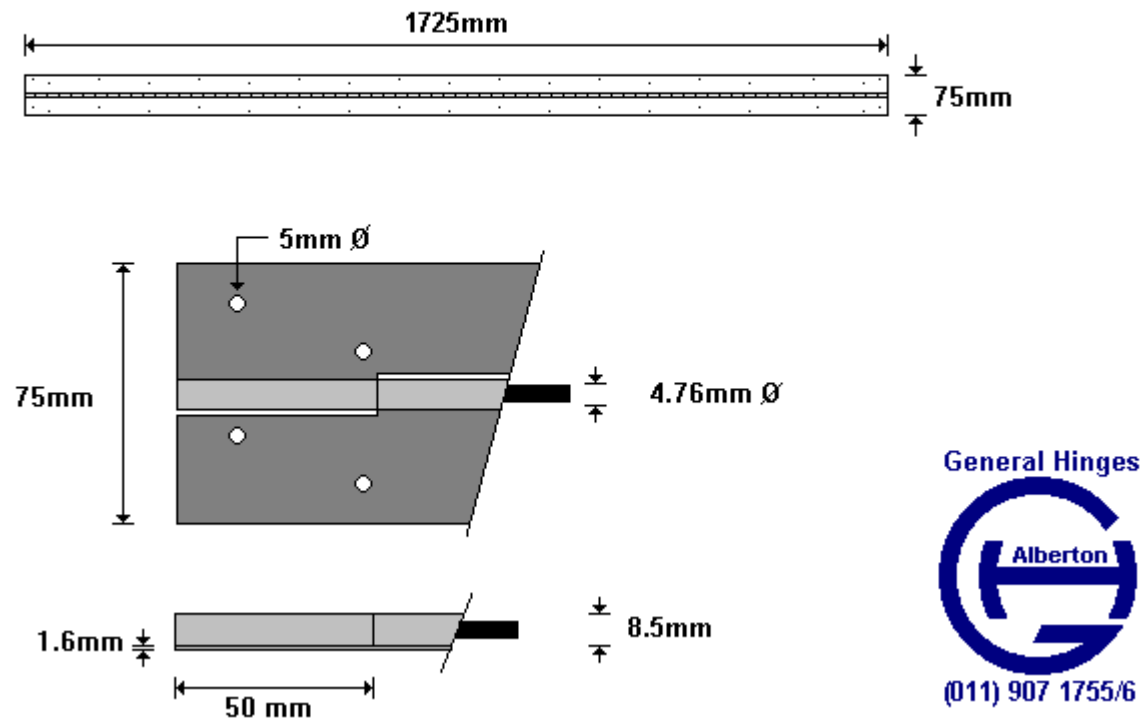
1721x75x1.6 S/STEEL PUNCHED
NS05450-05-000
HWNUS124



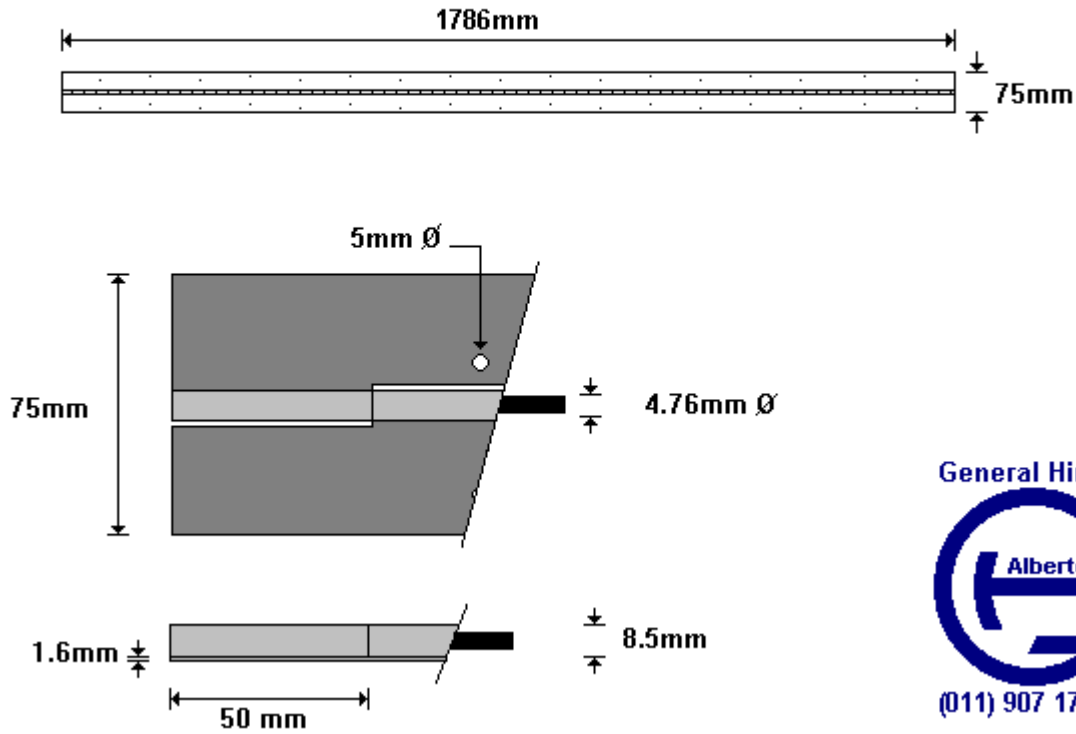
1562x75x1.6 S/STEEL PUNCHED
NS05455-08-000
HWNUS125



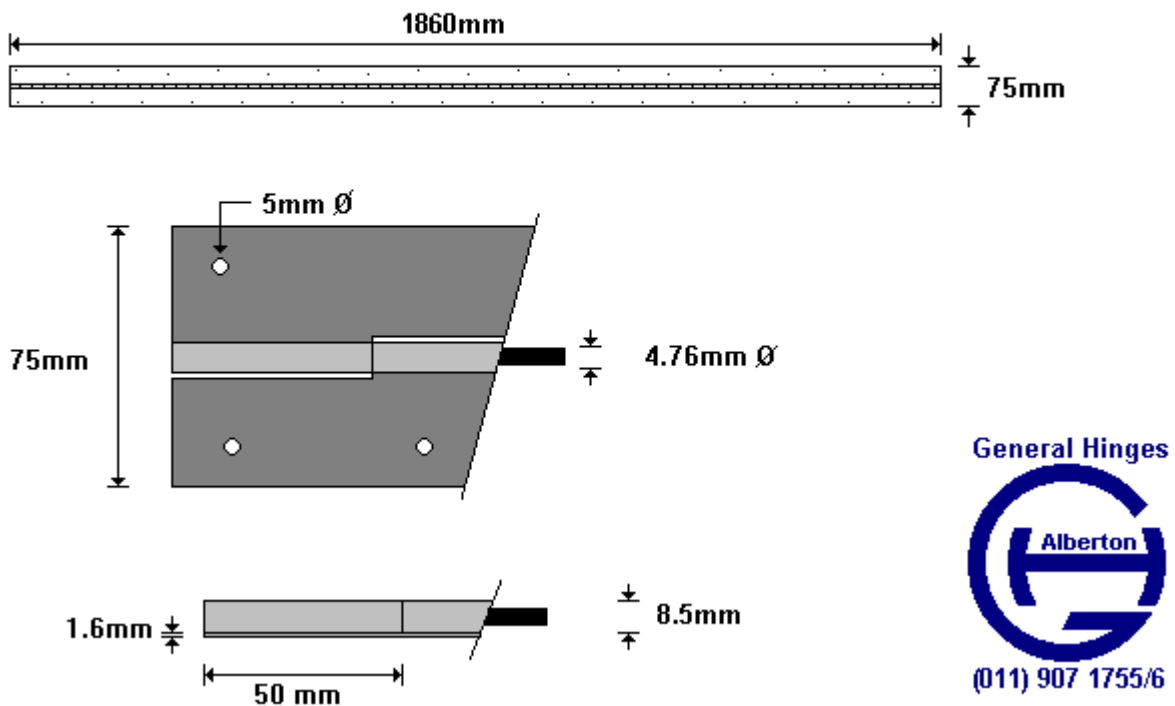
1725x75x1.6 S/STEEL PUNCHED
NS05460-05-000
HWNUS126



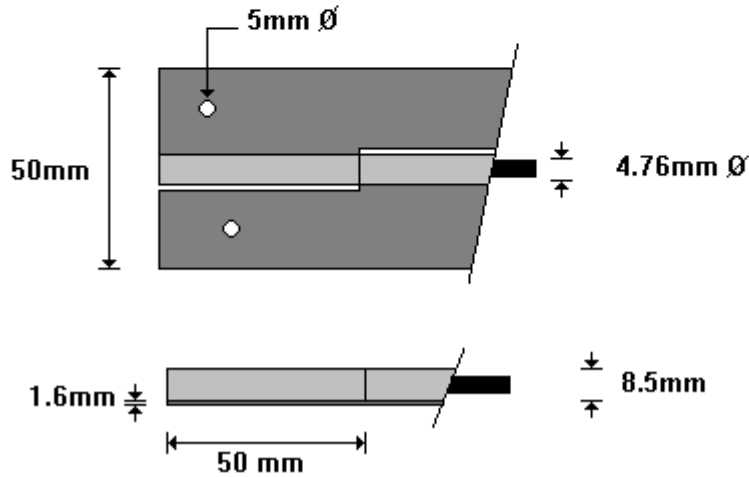
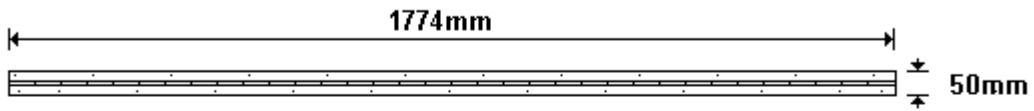
1786x75x1.6 S/STEEL PUNCHED
NS05465-03-000
HWNUS127



1860x75x1.6 S/STEEL PUNCHED
NS05525-04-000
HWNUS128



1774x50x1.6 S/STEEL PUNCHED
NS05602-04-000
HWNUS129

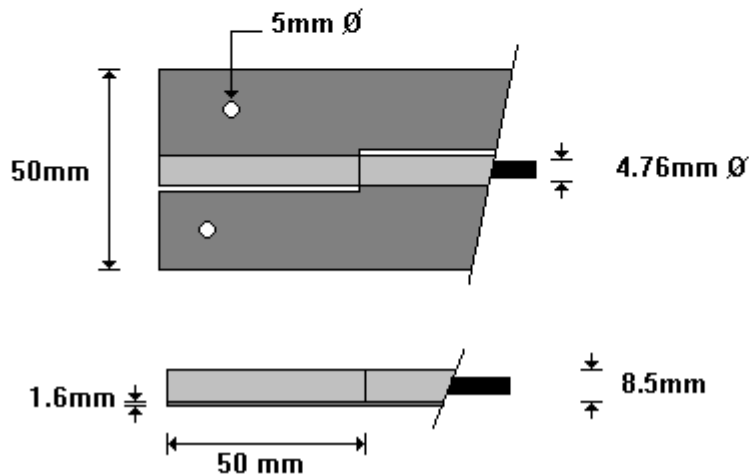
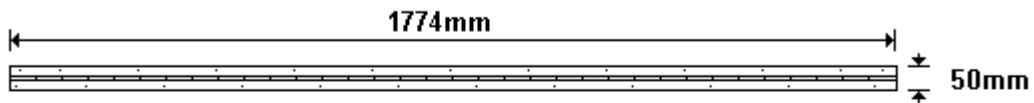


General Hinges



(011) 907 1755/6

1774x50x1.6 S/STEEL PUNCHED
NS05603-04-000
HWNUS130

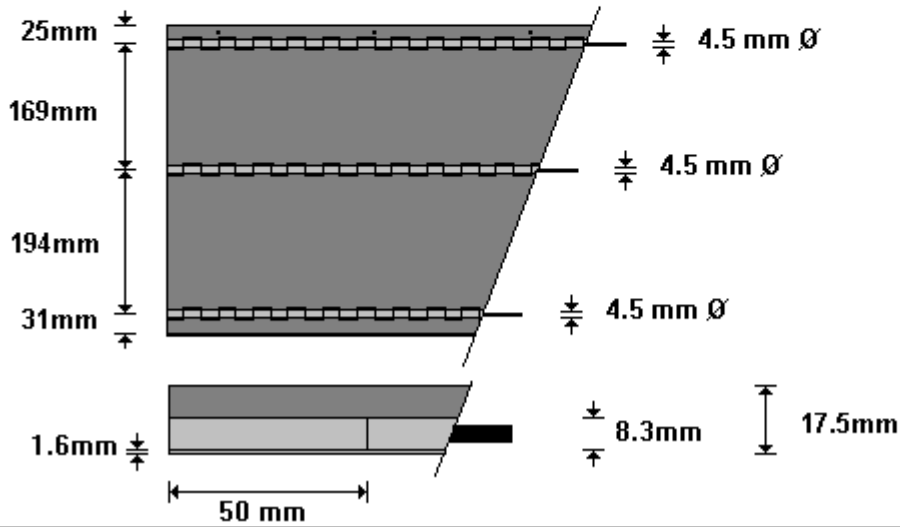
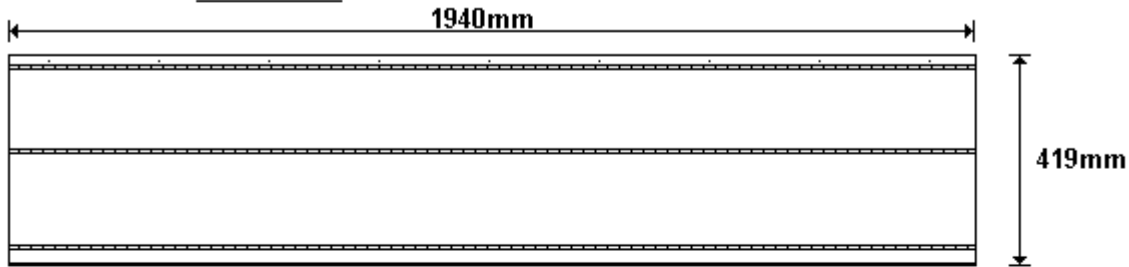


General Hinges



(011) 907 1755/6

ITAS HINGE 1940x419x1.6
HWITAS100

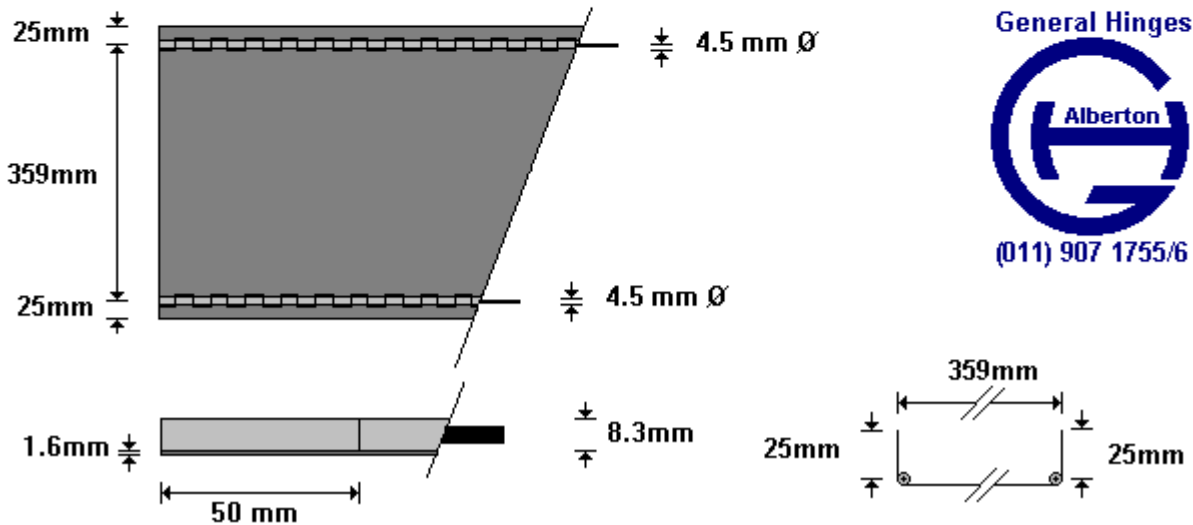
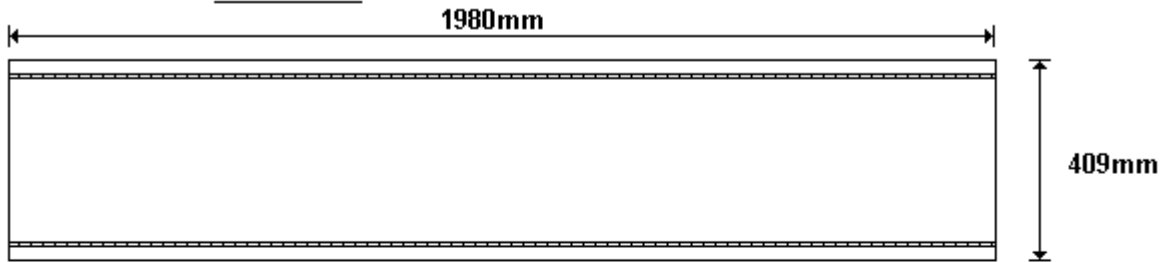


General Hinges



(011) 907 1755/6

ITAS HINGE 1980x409x1.6
HWITAS300

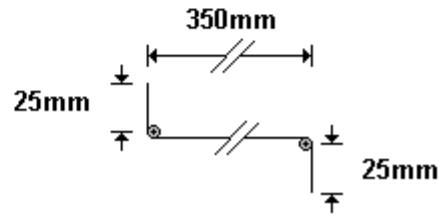
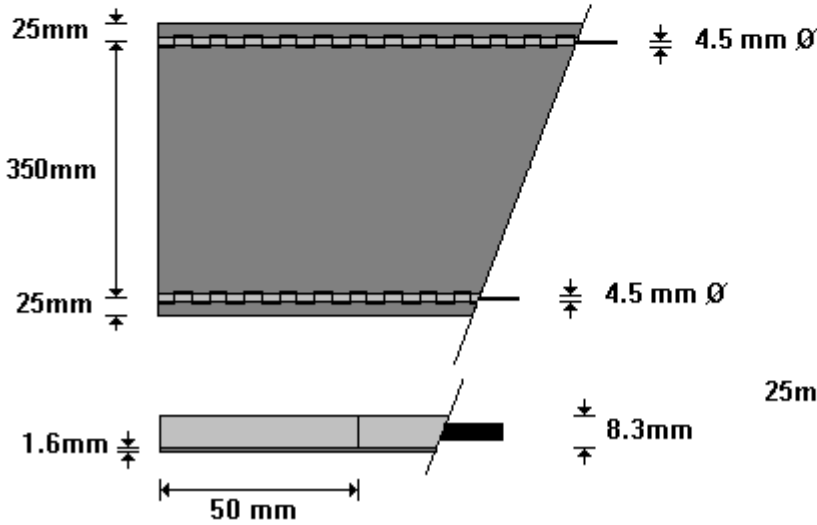
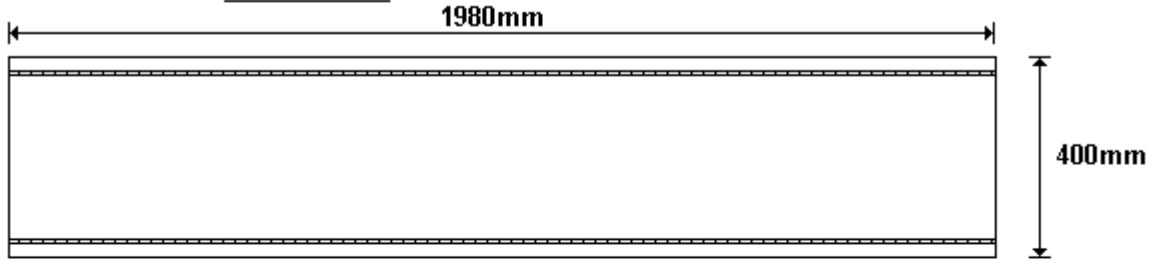


General Hinges



(011) 907 1755/6

ITAS HINGE 1980x400x1.6
HWITAS300L

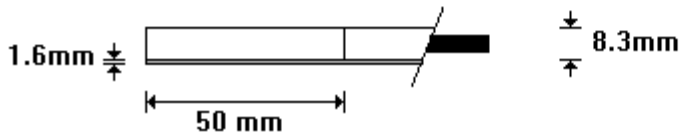
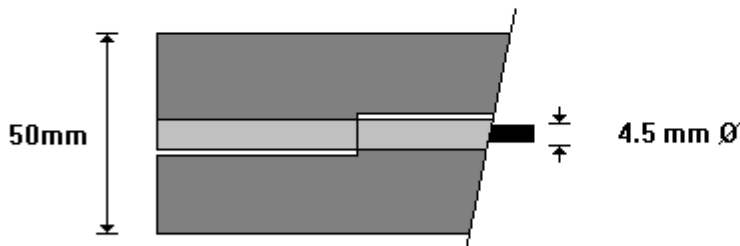
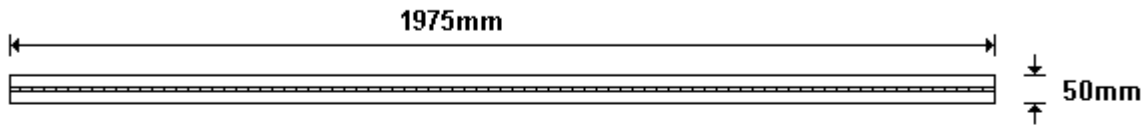


General Hinges



(011) 907 1755/6

ITAS HINGE 1975x50x1.6
HWITAS400



General Hinges



(011) 907 1755/6